

PRODUCT CATALOGUE



alpha-pack's range of machinery

Filling and Capping Machines



Rotary
Doypack Machines



Static
Doypack Machines

Coffee and Sweets
Doypack Machines

Machine Series: AP-1BT/-XL

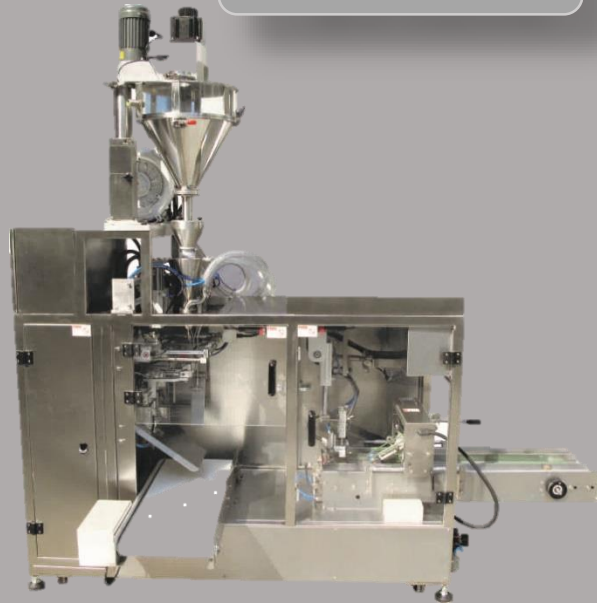
Static Filling and Capping Machine



**Production Speed:
Up to 12 pcs/min**

Machine information:

- Stainless steel version for the food industry
- Application for powders, grains, liquids, paste / dough
- Sectors: Pet food, cosmetics (soap, shower gel,) food (coffee, nuts)
- Simple touch screen control via colour symbols (5.7" display)
- Bag closing system for finished stand-up pouches with and without pressure closure



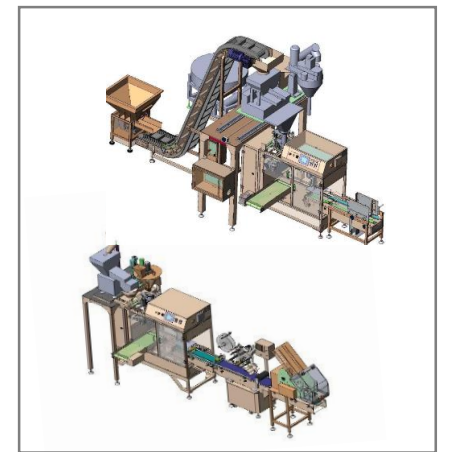
Product Samples:



Applicable bag types:

On our AP-1BT machines the following bag types can be used:

- Prefabricated stand-up pouches
- Flat bag
- Pouch with spout
- Pressure seal bag
- Slider bag
- Side gusseted bags



Model	Bag Width	Bag Length	Max. Filling Weight	Production Speed
AP-1BT	Min. 100mm* Max. 250mm*	Min. 150mm* Max. 300mm*	Depending on bag formats and dosing systems	Up to 12 pcs/min**
AP-1BT-XL	Min. 200mm* Max. 320mm*	Min. 200mm* Max. 450mm*	Depending on bag formats and dosing systems	Up to 12 pcs/min**

Machine Series: AP-8BT / -XL

Rotating Filling and Capping Machines



Production Speed:
Up to 80 pcs/min



Product Samples:



Applicable products:

The AP-8BT series reliably packages:

- Pet food
- cosmetics (shower gel, soap)
- Food (e.g. muesli or dried fruit)
- Small parts

Machine information:

- Quick format change of the bags
- integrable additional modules (gas flushing, weighing systems, double sealing)
- Touch panel control, with storable programs
- central gripper adjustment with One Touch technology
- customer-specific special construction - for special widths or special feeding systems

Model	Bag Width	Bag Length	Max. Filling Weight	Production Speed
AP-8BT	Min. 100mm* Max. 240mm*	Min. 150mm* Max. 300mm*	Depending on bag formats and dosing systems	Up to 40 pcs/min**
AP-8BT-XL	Min. 150mm* Max. 300mm*	Min. 200mm* Max. 450mm*	Depending on bag formats and dosing systems	Up to 40 pcs/min**
AP-8BT Duplex	Min. 90mm* Max. 145mm*	Min. 150mm* Max. 300mm*	Depending on bag formats and dosing systems	Up to 80 pcs/min**

Machine Series: AP-8BT / -XL

Rotating Filling and Capping Machines

Overview

The horizontal filling and sealing machine, rotating around 8 stations, fills and seals Doypack stand-up pouches with cycle times of up to 80 pouches per minute. The compact design of the rotary machine is very space-saving and can be flexibly adjusted to different bag widths. The rotary AP series is the cost-effective alternative to complex linear filling machines without expensive set-up times. The stand-up pouches are conveyed via a pouch magazine and are filled and sealed rotating in 8 working stations.

Construction material:	Steel (Underframe)/Stainless Steel 304
Supply voltage:	400 V / 50Hz, 3-phases
Installed power:	3,8kW
Compressed air supply:	10bar / 500l per min.
Production Speed:	Depending on product, filling weight, product feed, bag sizes, dosing system
Safety standards:	CE-conformity, DIN norms
Noise level:	Under 80 decibels according to DIN 45635
Applicable bag types:	Prefabricated stand-up pouches, flat bags, spout, pressure seal bags, slider bags, gusseted bags, single-lip (depending on optional components)
Film types:	OPP/ CPP, OPP/CE, PET, PE, laminated films, composite films
Applicable products:	General cargo (screws, nuts, etc.) bulk material (flour, nuts, etc.) Liquids (sauce, colours, etc.)



Station #1:	Bag pick-up Space for printing systems between #1 and #2
Station #2:	Pressure cap opener (optional)
Station #3:	Bag opener / air supply to inflate the bag
Station #4:	Check whether the bag is properly opened for the filling process (optional gassing)
Station #5:	1. Filling station – see dosing systems
Station #6:	Free station / 2nd filling station - see dosing systems
Station #7:	Heat-sealing jaws
Station #8:	Cold-sealing jaws / pouch outlet

Machine Series: AP-2BT

Coffee and Sweets Filling and Capping Machine



**Production Speed:
up to 15 pcs/min**

Areas of application:

The coffee and sweets filling and capping machine reliably packages the following products:

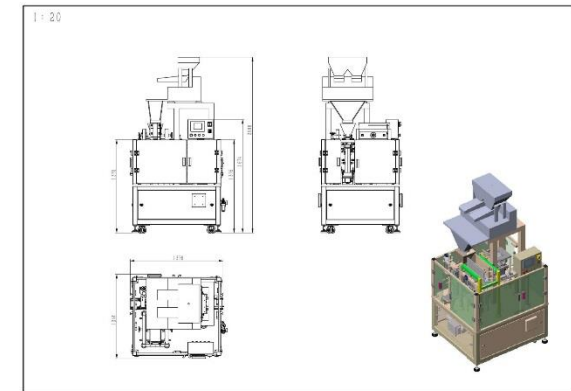
- coffee products
- Food (e.g. sweets, noodles or dried fruit)
- Pet food
- Cosmetics (shower gel / soap)

Applicable bag types:



Machine details:

- Integrated vertical bag feeding device
- Built-in vacuum pump to pick up and open the bag
- Built-in vibration holding device
- Panasonic PLC + Kinco 7" colour display
- Stainless steel construction



Model	Bag Width	Bag Length	Production Speed
AP-2BT	Min. 100mm* Max. 200mm*	Min. 180mm* Max. 400mm*	8 to 15 bags / min (depending on the respective product)

Machine Series: APHPM-210

Horizontal Filling and Capping Machine
for Premade Pouches

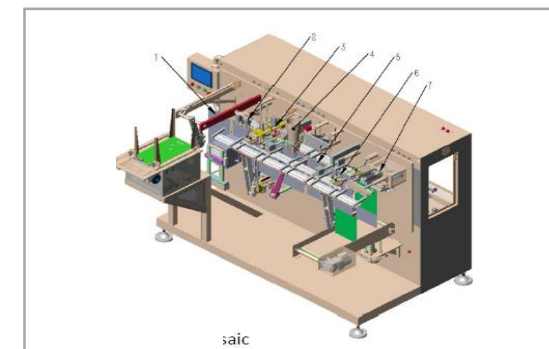
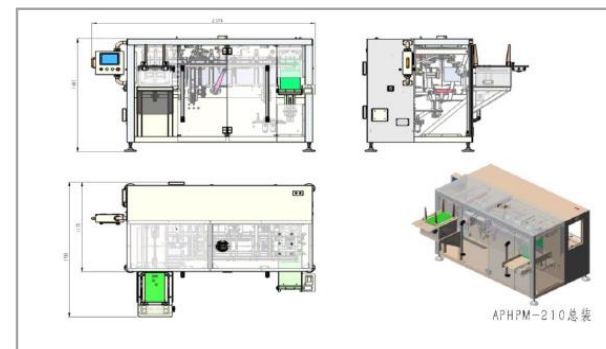


Machine Speed:
Up to 60 pcs/min

Machine information:

With our horizontal filling and capping machine APHPM-210 you are guaranteed to make the right choice! The APHPM-210 convinces with its simple operation and its clean and compact design. Our packaging machine seals prefabricated bags with high strength, so that your products are safely and securely packed for transport and trade. Our innovative technology ensures a high productivity of the filling and capping machine. It fills and closes up to 60 bags per minute. Our APHPM-210 can be used in almost any industry (e.g. food, medical, cosmetics and fine chemicals) and thus represents a huge simplification in your packaging process.

Product Samples:



Working Steps:

- A bag is gripped
- The pattern is added.
- The zip closure is opened.
- The bottom of the bag is opened.
- Two fillings take place.
- The bag opening is flattened.
- The bag is sealed.

Model	Bag Width	Bag Length	Speed	Bag Types	Bag Depth
APHPM-210	100-210 mm*	150-380 mm*	30-60 pcs/min**	Flat Bags, Stand-Up Pouches, Zipper Bags	40-80 mm*

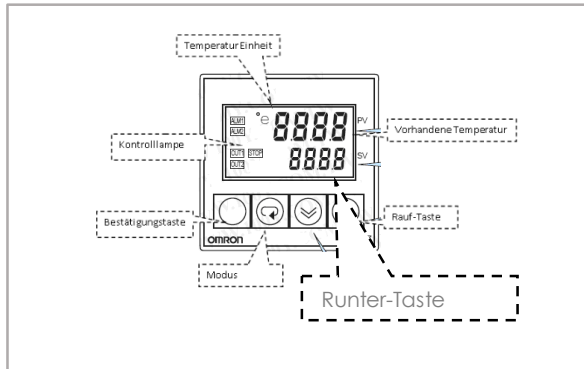
Machine Components

Filling and Capping Machines

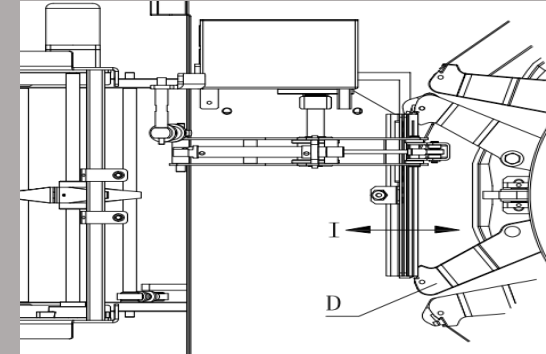
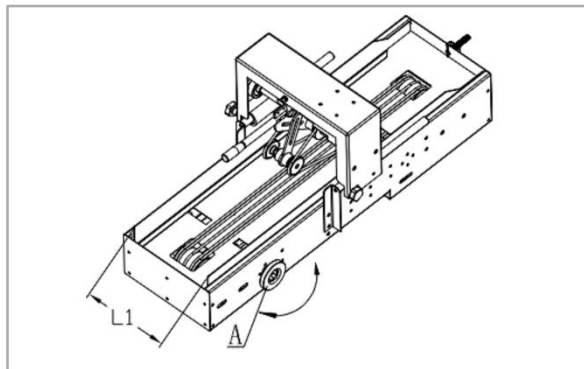
Touch-Screen



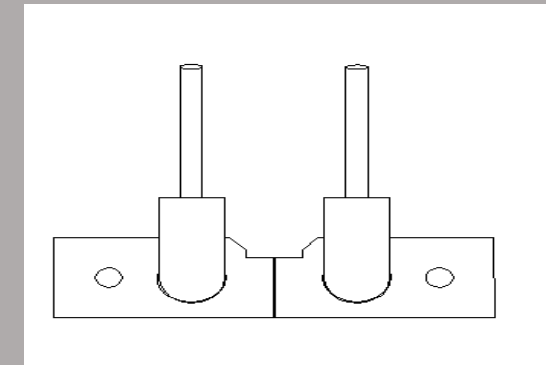
Temperature Control



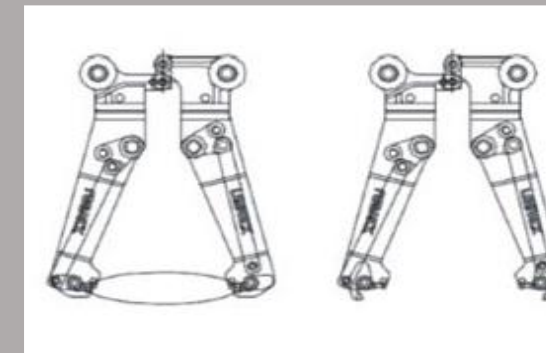
Bag Magazine



Bag Gripper - Infeed Belt



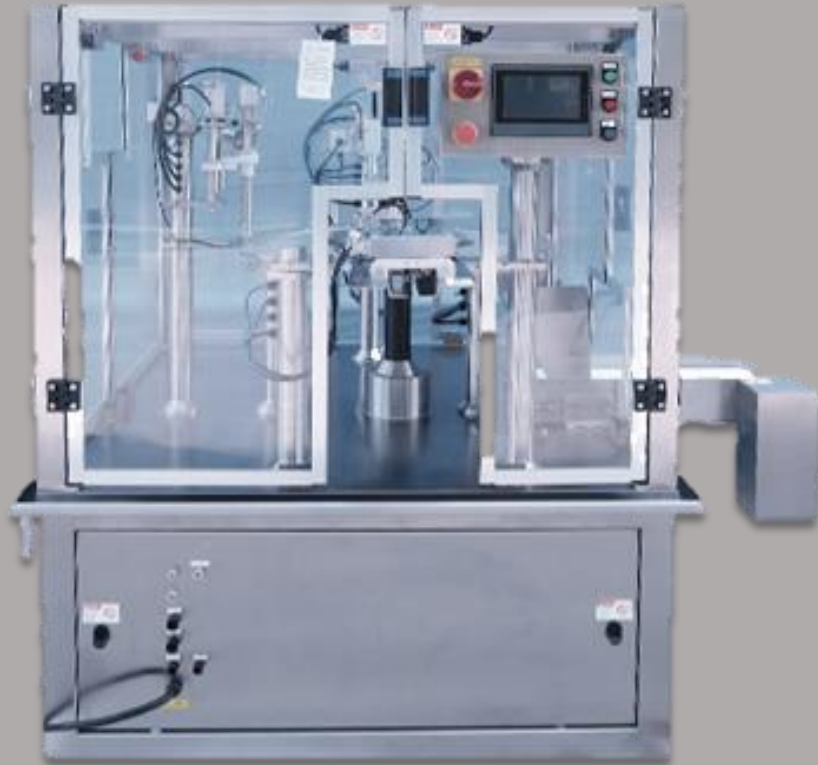
Sealing Jaw



Bag Gripper

Machine Series: AP-12 BT

Rotary Multilane Doypackmaschine



**Output Quantity: Up to
14,000 pcs/h**

Machine information:

- Panasonic PLC
- 7" Kinco color touch screen
- Manual or automatic bag filling system
- Made entirely of stainless steel

Machine Details:

The AP12BT is an automatic 12-station rotary machine for Doypack pouches with spout filling for liquids such as milk, yogurt, fruit juice, oil and spices, detergents, chemicals, etc.

The packaging process starts with the insertion of the bag, followed by positioning in the machine, coding, filling, sealing of the closure, cooling and finally the bag is released on an integrated discharge conveyor.

In order to achieve high productivity, it is possible to use 2 to 8 filling systems (speed up to 14.000 pieces/hour) and an automatic bag filling system, a digital printer, etc.

Model	AP-12 BT
Max. Filling Volume:	2000 ml
Bag Width (mm):	Max. 250
Bag Length (mm):	Max. 300
Max. Speed (per min):	20-40 pcs/min
Bag Format:	Center Spout
Air Pressure:	6 bar
Voltage:	380 V, 50 Hz, 3-phases

* It is not possible to combine all maximum dimensions. ** The output quantities per minute are average values, depending on bottle type, thickness, product dimensions and machine handling.

Horizontal Filling & Capping Machine



DEAPHS-Series

Machine Series: APHS

Horizontale Form-, Füll- und Verschließmaschine



Speed:
Up to 320 pcs/min



Machine Information:

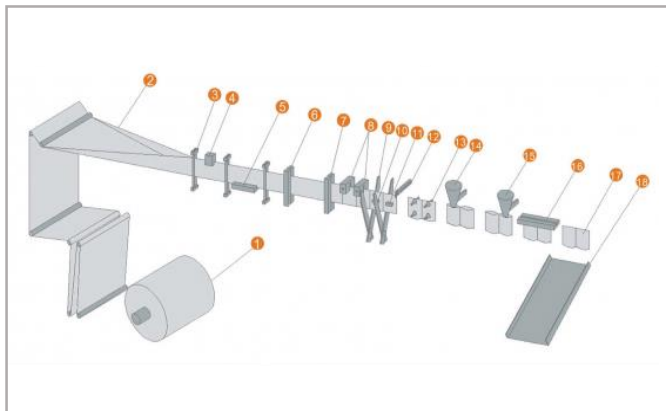
Our APHS series is specially designed for filling 3- and 4-side sealed sachet and Doypack bags. Thanks to the various dosing systems, such as auger dosing, volumetric cup filler and multi-head filler, the machine reliably packs powdered, liquid and granular products (sugar, spices, juice, tomato paste, nuts, sweets, detergents, lotions, pills, capsules, pesticides, fungicides, etc.). The machine also independently produces the bags to be filled from flat films, thus providing a cost-effective and efficient packaging solution.

Product Samples:



- Chocolate, Cereal Bars
- Tea / Spices
- Pet food
- Instant Meals
- Cosmetics / Hygiene Products

The film is unrolled (point 1) and the bags are formed (point 2).
 The film is inserted until it reaches the photosensor (point 4).
 The bottom and sides (point 5 & 6) are sealed.
 The tear notch is added (point 7) and the pouch is cut (point 8).
 The pouches are pulled by the machine and are opened (point 9 & 10).
 The pouches are filled and sealed (point 11 & 12).
 The finished product is discharged from the machine (point 13 & 14).



Model:	APHS-110	APHS-130	APHS-180	APHS-180D	APHS-240	APHS-240D	APHS-270T	APHS-360Q
Max. Bag Size	110 x 120mm *	140 x 180 mm*	180 x 225 mm*	90 x 180 mm*	180 x 225 mm*	120 x 225 mm*	90 x 180 mm*	90 x 180 mm*
Max. Bag Volume	60 ml	160 ml	400 ml	100 ml	1000 ml	180 ml	100 ml	100 ml
Power	40-80 pcs/min	40-80 pcs/min	40-80 pcs/min	120-180 pcs/min	30-70 pcs/min	100-160 pcs/min	150-240 pcs/min	200-320 pcs/min
Max. Connected Load	2 kW	3,5 kW	4,5 kW	4,5 kW	5,5 kW	5,5 kW	10,5 kW	14 kW
Weight:	600 kg	900 kg	1400 kg	1500 kg	2000 kg	1800 kg	2500 kg	3000 kg

Filling and Capping Machines



Container Capping
Machines



Bottle Filling
Machines

Machine Series: TAPI

Container Capping Machines



Max. Sealing Diameter:
121 mm

Machine Information:

Our container capping machines use a non-contact process in which the internal seal is heated to finally hermetically seal plastic and glass containers. This sealing process takes place after filling and capping (with lids). The production capacity is up to 300 units per minute. Our container capping machines can also be used on fast conveyor belts, making them ideal for high speed packaging processes and the best choice for mass production.

Container

General Information:

- High capacity, best suited for mass production.
- High sealing capacity for continuous packaging processes
- Can be integrated into existing line or used separately



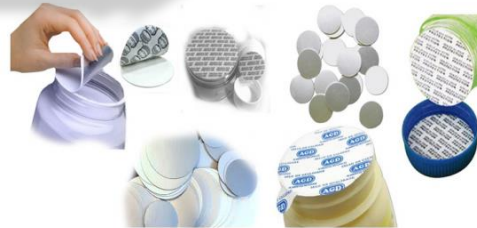
Model:	TAPI-2001A	TAPI-2001B	TAPI-3000A	TAPI-3000B
Voltage	220 V / 1 pH, 50 Hz	220 V / 1 pH, 50 Hz	220 V / 1 pH, 50 Hz	220 V / 1 pH, 50 Hz
Max. Power	2500 W	2500 W	3000 W	3000 W
Sealing Diameter	A: 15-45 mm B: 30-60 mm C: 50-120 mm	A: 15-45 mm B: 30-60 mm C: 50-120 mm	A: 30-60 mm B: 50-121 mm	A: 30-60 mm B: 50-121 mm
Max. Capacity	200	200	300	300
Cooling Method	Air Cooling	Air Cooling	Water Cooling	Water Cooling

Machine Series: AFL

Bottle Filling Machines



Speed:
Up to 100 pcs/min



Machine information:

The DEAFL series from alpha-pack is suitable for glass and plastic bottles of all types and can fill them with liquid to medium viscosity liquids and pastes. Our bottle filling machines can be used in a variety of sectors, such as the pharmaceutical industry, the cosmetics sector, and for beverages and other food products.

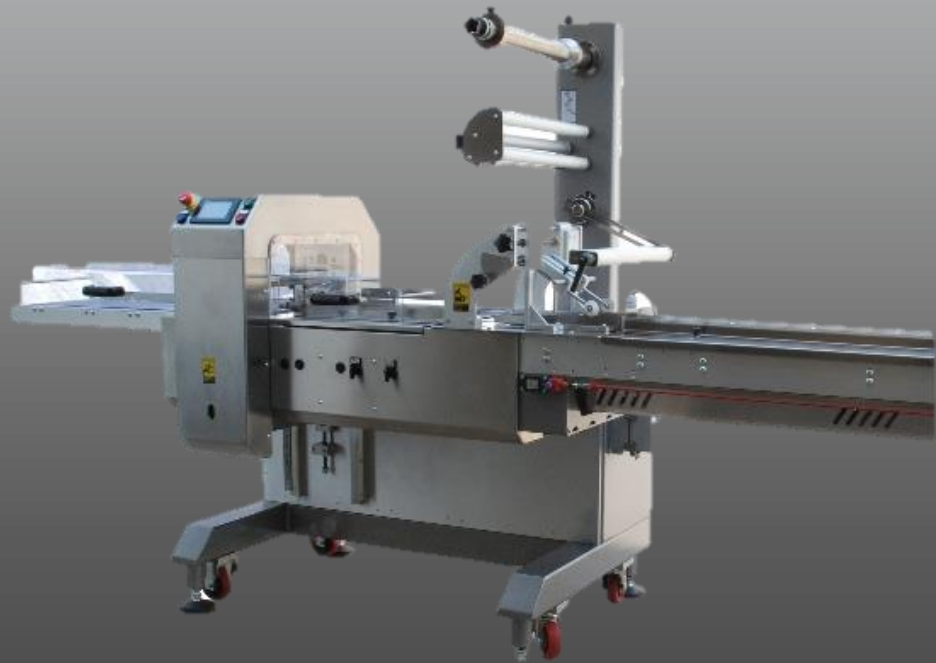


General Information:

- User-friendly, advanced HMI system
- Double servo-driven positioning system, high-precision filling control, presettable filling modes
- Stainless steel, compliant with food industry hygiene requirements
- Programmable logic controller, combined with touch screen control system

Model:	AFL-840	AFL-860	AFL-880	AFLS-120	AFLS-500	AFLS-1000	AFLS-2500	AFLS-5000
Max. Filling Capacity	100-5000 ml*	100-5000 ml*	100-5000 ml*	10-120 ml*	50-500 ml*	100-1000 ml*	250-2500 ml*	500-5000 ml*
Number of Filling Cans	4	6	8	8 / 12	8 / 12	8 / 12	8 / 12	8 / 12
Power	30**	45**	60**	30-60 / 60-100 (two lanes)**	30-60 / 60-100 (two lanes)*	30-50 / 60-90 (two lanes)**	30-50 / 60-80 (two lanes)**	30-40 / 50-80 (two lanes)**
Air Pressure	6 bar	6 bar	6 bar	4-6 bar	4-6 bar	4-6 bar	4-6 bar	4-6 bar
Voltage	220 V / 1 phase 50-60 Hz	220 V / 1 phase 50-60 Hz	220 V / 1 phase 50-60 Hz	380 V, 50-60 Hz	380 V, 50-60 Hz	380 V, 50-60 Hz	380 V, 50-60 Hz	380 V, 50-60 Hz

Horizontal Pillow Bag Machine



Film feeding from the top



Film feeding from the bottom

Machine Series: AHP

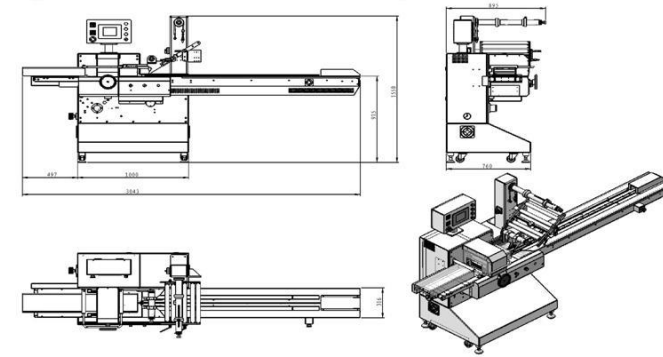
Horizontal Pillow Bag Machine – Film feeding from the top



Speed:
Up to 200 pcs/min

Technical Details:

- Steel frame / stainless steel construction
- Products are transported by gripper loading
- Teflon-coated, permanently heated sealing stamps
- Simple touchscreen operation via color symbols
- Continuous feeding of the products by photocell control
- Safety protection covers / alarm signal lamp
- 3-sided sealed seam packaging (fin seam)



Machine Dimensions

Applicable Products:

Our AHP series (film from above) reliably packages among others the following products:

- Medical Products
- Fruit and Vegetables
- Technology
- Biscuits
- Frozen food

Model	AHP-400-1S	AHP-450-3S	AHP-450-3S mini	AHP-500-3S	AHP-600-3S
Applicable Films:	PP / POF / Composite Films	PP / POF / Composite Films	PP / POF / Composite Films	PP / POF / Composite Films	PP / POF / Composite Films
Speed:	UT 100 pcs/min	UT 90 pcs/min	UT 90 pcs/min	UT 200 pcs/min	UT 150 pcs/min
Sealing Mechanism 1 & 2:	longitudinal/rotation	Longitudinal/rotation /3 servomotors	Longitudinal/rotation /3 servomotors	Longitudinal/rotation /3 servomotors	Longitudinal/rotation /3 servomotors
Max. Product Height:	100 mm*	-	-	120 mm*	140 mm*
Max. Product Width:	200 mm*	-	-	250 mm*	300 mm*
Product Length:	40-550 mm*	Up to 600 mm*	Up to 400 mm*	60-550 mm*	70-550 mm*
Max. Roll Size:	400 x Ø 350 mm	450 x Ø 300 mm	450 x Ø 300 mm	500 x Ø 350 mm	600 x Ø 350 mm
Max. Connected Load:	2,5 kW	3,0 kW	3,0 kW	3,0 kW	3,5 kW
Air Pressure (dry air):	6,0 bar	6,0 bar	6,0 bar	6,0 bar	6,0 bar
Supply Voltage:	400 V / 3-phases	400 V / 3-phases	400 V / 3-phases	400 V / 3-phases	400 V / 3-phases

Maschinenserie: AHP

Horizontal Pillow Bag Machine – Film feeding from the bottom



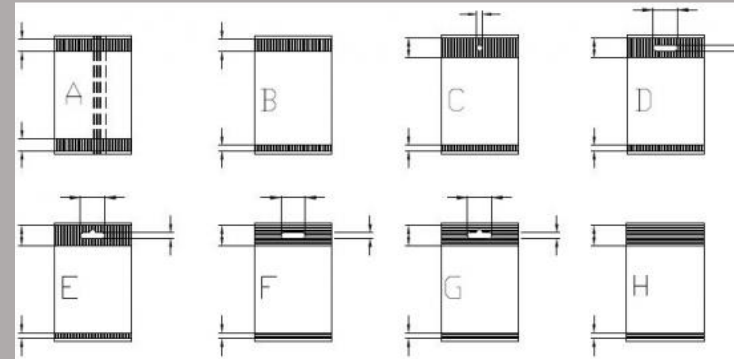
Speed:
Up to 60 pcs/min

Technical Details:

- Steel frame / stainless steel construction
- The products are transported by gripper loading
- Teflon-coated sealing stamps, permanently heated
- simple touchscreen operation via color symbols
- continuous feeding of the products by photocell control
- Safety protection covers / alarm signal lamp
- 3-sided sealed seam packaging (fin seam)



Bag Dimensions:



Applicable Products:

Our AHP series (film from below) reliably packages the following products:

- Medical products
- Fruit and vegetables
- Technology
- Biscuits
- Frozen food

Model	AHP— 500-3S-BR	AHP-500- 4S-BRI	AHP-600- 3S-BR	AHP-600- 4S-BM	AHP-700- BM	AHP-70 0-4S-BRI
Usable films:	PP / POF / Composite films	PP / POF / Composite films	PP / POF / Composite films	PP / POF / Composite films	PP / POF / Composite films	PP / POF / Composite films
Speed:	Up to 120 pcs/min	Up to 60 pcs/min	Up to 120 pcs/min	Up to 60 pcs/min	Up to 70 pcs/min	Up to 60 pcs/min
Sealing Mechanism 1 & 2:	longitudinal, rotation, servomotor	longitudinal, rotation, servomotor	longitudinal, rotation, servomotor	longitudinal, rotation, servomotor	-	longitudinal, rotation, servomotor
Max. Film Width:	-	700 mm	-	600 mm	-	700 mm
Max. Bag Length:	-	50-600 mm*	-	50-600 mm*	-	50-600 mm*
Max. Sealing Height:	-	120 mm*	-	120 mm*	-	120 mm*
Max. Product Height:	-	-	120 mm*	-	120 mm*	-
Max. Product Width:	-	-	280 mm*	-	-	-
Max. Roll Size:	-	-	600 x Ø 300 mm	-	-	-
Max. Connected Load:	-	-	3,5 kW	-	6 / 9 kW	-
Supply Voltage:	-	-	400 V / 3-phases	-	400 V / 3-phases	-

Additional Options:

Horizontal Pillow Bag Machine – AHP Series

Optional features for our AHP series:

- Box-Motion for high speed production
- Thermal transfer printer (best before date)
- Stainless steel construction
- Cooling applications for ice packaging
- Zig-Zag knife, Euro hole punches etc.
- Automatic stop for empty products
- Applications for shrink films (Flow Shrink)
- Gassing units for protective atmosphere (extend product shelf life)
- Automatic product feeding systems, cyclical insertion systems
- Perforation units (tear strip) for easy opening
- Length-independent product processing through photocell scanning

Optional Accessories:

- Photocell
- Printer (e.g. for sell-by dates)
- Stainless steel construction
- Transmission for Auto Feeder



Product Samples:



Vertical Pillow Bag Machines



Stick-Pack



Pillow Bags



Sachet-Bags

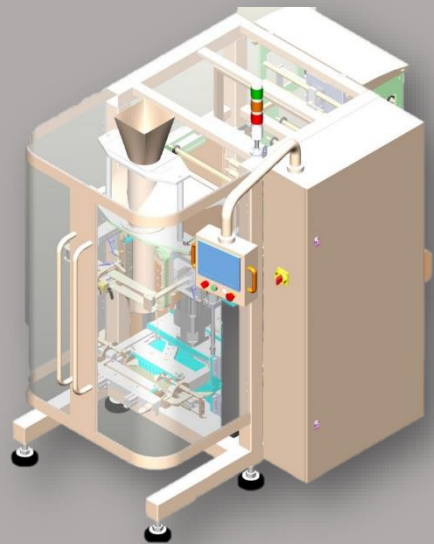


Stand-Up Pouches

Side-Gusseted Bags

Machine Series: **PM** Box Motion

Vertical Pillow Bag Packaging Machine



Applicable Bags:

Stand-Up Pouches



Stand-Up Pouches

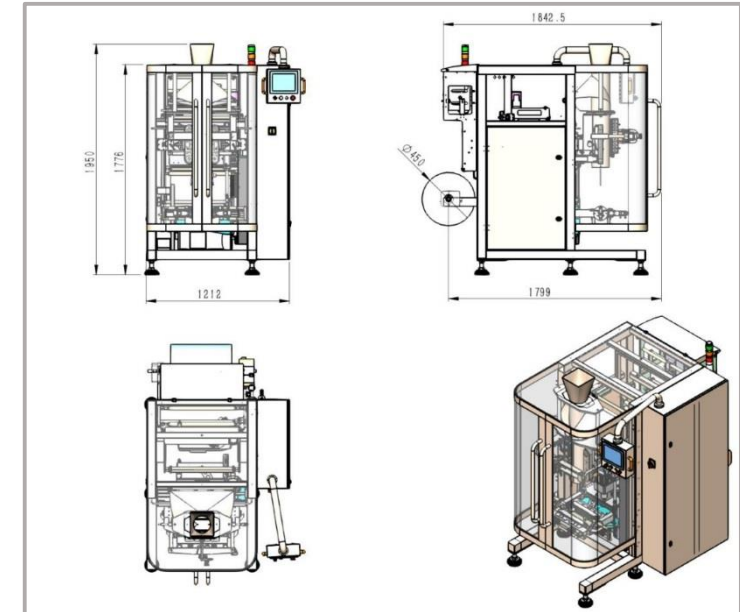


Side-Gusseted Bags

Applicable Products:

The machines of the Box Motion series are the ideal packaging solution for

- Bulk goods
- Piece goods
- Small parts



Machine Series: PM-100

Sachet forming, filling and sealing machine

Applicable Products:

The PM-100 series reliably and fail-safe packs the following products in sachet bags:

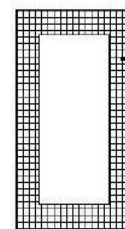
- Granules
- Powder
- Small parts
- Liquids



Sealing cycles:
up to 100 pieces / minute*

Applicable Bags:

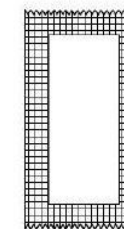
4-side sealed bags:



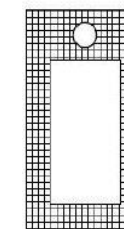
Net pattern with horizontal cut



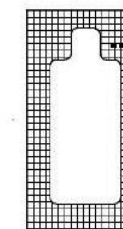
Stripe pattern horizontal cut



Net pattern with zig-zag cut

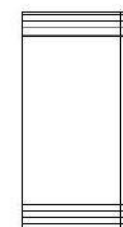


Net pattern with perforated central cutout



Specially shaped bag with net pattern

3-side sealed bags:



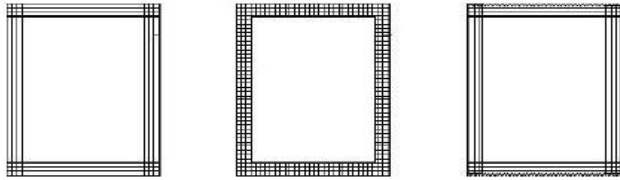
Model	Bag Width	Bag Length	Max. Filling Weight
PM-100G	Min. 80mm Max. 85mm	Min. 30mm Max. 120mm	Depending on bag format and dosing system
PM-100L	Min. 30mm Max. 85mm	Min. 30mm Max. 120mm	Depending on bag format and dosing system
PM-100P	Min. 30mm Max. 85mm	Min. 30mm Max. 120mm	Depending on bag format and dosing system
PM-100T	Min. 30mm Max. 85mm	Min. 30mm Max. 120mm	Depending on bag format and dosing system
PM-100V	Min. 30mm Max. 85mm	Min. 30mm Max. 120mm	Depending on bag format and dosing system

Machine Series: PM-150

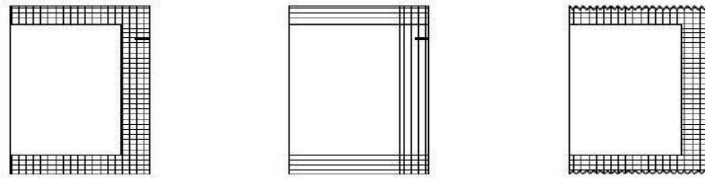
Vertical Pillow Bag Machine

Applicable Bags:

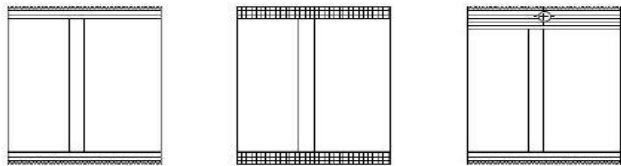
4-side sealed pouch



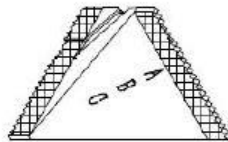
3-side sealed pouch



Backseal bag



Triangular bag



Applicable Products:

The PM-150 series quickly and safely packs the following products in pillow bags:

- Granules
- Powder
- Creams
- Liquids

Sealing cycles:
up to 60 pieces / minute



Model	Bag Width	Bag Length	Max. Filling Weight
PM-150B	Min. 30mm Max. 120mm	Min. 80mm Max. 190mm	Depending on bag format and dosing system
PM-150B3	Min. 30mm Max. 130mm	Max. 180mm	Depending on bag format and dosing system
PM-150B4	Min. 30mm Max. 130mm	Max. 180mm	Depending on bag format and dosing system
PM-150BT	Min. 30mm Max. 80mm	Min. 40mm Max- 100mm	Depending on bag format and dosing system

Machine Series: PM-180

Stick-Pack Bag Packaging Machine



Applicable Products:

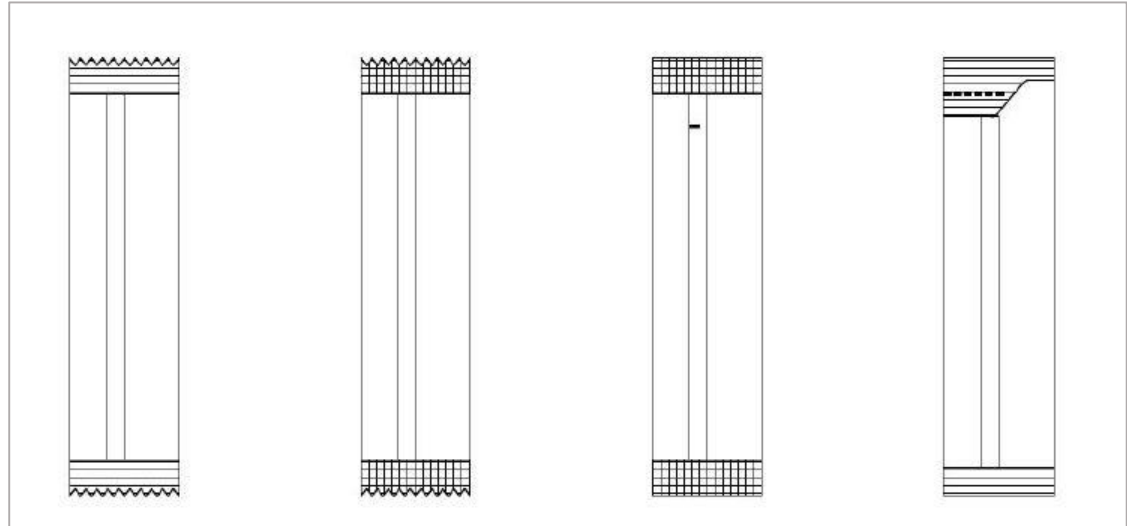
With our PM-180 series the following products will be in safe hands:

- Granules
- Powder
- Creams
- Liquids

Sealing Cycles:
Up to 100 pieces/min

Applicable Bags:

Stick-Pack Bags



Stick-Packs with zig-zag cut

Stick-Packs with net pattern and zig-zag cut

Stick-Packs with net pattern and horizontal cut

Stick-Packs with spout perforation



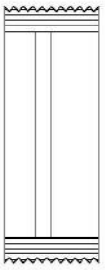
Model	Bag Width	Bag Length	Max. Filling Weight
PM-180	Min. 16mm Max. 80mm	Min. 70mm Max. 180mm	Depending on bag format and dosing system
PM-180-2	Min. 16mm Max. 35x2mm	Min. 70mm Max. 180mm	Depending on bag format and dosing system
PM-180-H	Min. 16mm Max. 80mm	Min. 70mm Max. 240mm	Depending on bag format and dosing system
PM-180BIB	Min. 100mm Max. 150mm	Min. 120mm Max. 250mm	Depending on bag format and dosing system

Machine Series: PM-190

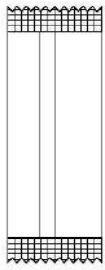
Stick-Pack Packaging Machine

Applicable Bags:

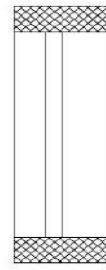
Stick-Pack Bags



Stick-Pack with zig-zag cut



Stick-Pack with net pattern and zig-zag cut



Stick-Pack with net pattern and horizontal cut



Stick-Packs with spout perforation



Stick-Packs with rounded corners



Specially shaped Stick-Packs

Applicable Products:

The following products can be packed with our PM-190 series:

- Granules
- Powder
- Creams
- Liquids

Sealing cycles:
Up to 100 pieces/min



Model	Bag Width	Bag Length	Max. Filling Weight
PM-190	Min. 16mm Max. 90mm	Min. 70mm Max. 200mm	Depending on bag format and dosing system
PM-190-2	Min. 16mm Max. 40x2mm	Min. 70mm Max. 200mm	Depending on bag format and dosing system
PM-190H	Min. 16mm Max. 90mm	Min. 70mm Max. 200mm	Depending on bag format and dosing system
PM-190H-2	Min. 14mm Max. 40x2mm	Min. 70mm Max. 200mm	Depending on bag format and dosing system

Machine Series: MLP

Multi-Lane Stick-Pack Packaging Machine

Applicable Products:

The following products can be packed with our MLP series:

- Granules
- Powder
- Creams
- Liquids

Applicable Bags:

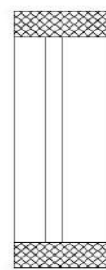
Stick-Pack Bags



Stick-Pack with zig-zag cut



Stick-Pack with net pattern and zig-zag cut



Stick-Pack with net pattern and horizontal cut



Stick-Packs with spout perforation



Stick-Packs with rounded corners



Specially shaped Stick-Packs



Sealing Cycles:
Up to 270 pieces/min



Model	Bag Width	Bag Length	Max. Filling Weight
MLP-800A-04	Min. 40mm Max. 95mm	Min. 70mm Max. 200mm	Depending on bag format and dosing system
MLP-800B-04	Min. 40mm Max. 95mm	Min. 70mm Max. 200mm	Depending on bag format and dosing system
MLP-800B-06	Min. 35mm Max. 60mm	Min. 70mm Max. 200mm	Depending on bag format and dosing system

Machine Series: PM-320

Pillow Bag Packaging Machine



Applicable Products:

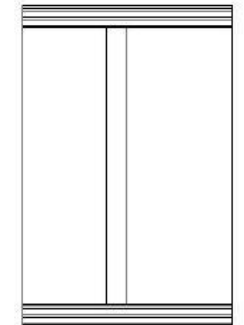
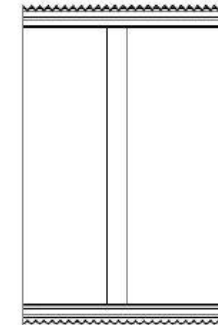
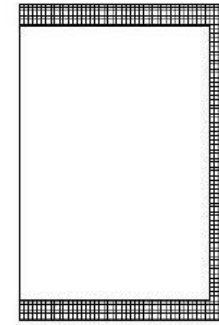
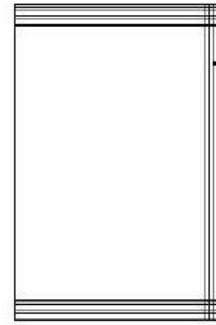
With our PM-320 series the following products are in safe hands:

- Granules
- Powder
- Snacks
- Sweets

Sealing Cycles:
Up to 120 pieces/min

Pillow Bags / Sachet Bags

Applicable Bags:



3-side sealed pouch

back-sealed bags

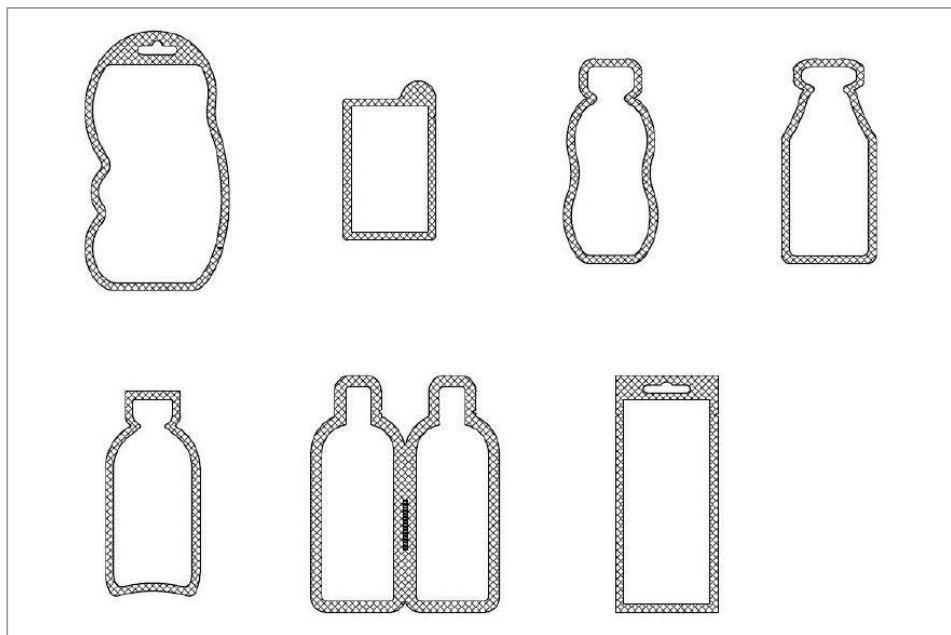


Model	Bag Width	Bag Length	Max. Filling Weight
PM-320BE	Min. 50mm Max. 150mm	Min. 80mm Max. 200mm	Depending on bag format and dosing system
PM-320B3	Min. 50mm Max. 160mm	Min. 80mm Max. 200mm	Depending on bag format and dosing system
PM-320E	Min. 50mm Max. 150mm	Min. 80mm Max. 200mm	Depending on bag format and dosing system
PM-320F	Max. 160mm	Max. 200mm	Depending on bag format and dosing system
PM-320F2	Max. 80x2mm	Max. 160mm	Depending on bag format and dosing system
PM-320F3	Max. 55x3mm	Max. 330mm	Depending on bag format and dosing system

Machine Series: PM-360

Vertical Pillow Bag Machine

Applicable Bags:



Sealing Cycles:
Up to 60 pieces/min

Applicable Products:

The following products can be packed with our PM-360 series:

- Powder
- Creams
- Cosmetic wipes
- Stickers



Model	Bag Width	Bag Length	Max. Filling Weight
PM-360S	Max. 160mm	Max. 160mm	Depending on bag format and dosing system
PM-360S2	Max. 80x2mm	Max. 160mm	Depending on bag format and dosing system

Machine Series: PM-420/620/720/1020

Vertical Pillow Bag Packaging Machine



Sealing Cycles:
Up to 45 pieces/min

Applicable Bags:

Stand-Up Pouches



Stand-Up Pouches



Side Gusseted Bags

Applicable Products:

The machines of the PM-420 series are the ideal packaging solution for

- Bulk materials
- Piece goods
- Small parts



Model	Bag Width	Bag Length	Max. Filling Weight
PM-420	Min. 80mm Max. 200mm	Min. 20mm Max. 300mm	Depending on bag format and dosing system
PM-620	Min. 110mm Max. 300mm	Min. 120mm Max. 600mm	Depending on bag format and dosing system
PM-720	Min. 180mm Max. 350mm	Min. 170mm Max. 700mm	Depending on bag format and dosing system
PM-1020	Min. 200mm Max. 500mm	Min. 200mm Max. 400mm	Depending on bag format and dosing system

Machine Series: APPB-350

Vertical pillow bag machine with tubular film



Sealing Cycles:
Up to 15 pieces/min

Model	Bag Width	Bag Length	Max. Filling Weight
APPB-350	Min. 70mm Max. 350mm	Min. 70mm Max. 500mm	Abhängig von Beutelformat und Dosiersystem
APPB-350L	Min. 70mm Max. 500mm	Min. 70mm Max. 550mm	Abhängig von Beutelformat und Dosiersystem

Applicable Bags:

- PE pillow bags on a roll
- PE side gusseted bags on a roll

Applicable Products:

With our APPB-350 series these products can be packed in tubular film or pillow bags from the roll:

- Small parts (screws, dowels)
- Bulk material
- Piece goods

Machine specifications:

- Processes both tubular film and pillow bags on a roll
- Can be integrated into almost any packaging line
- Fast operation and high reliability
- Simple film change
- User-friendly touch-screen
- Bag lengths freely selectable in the menu



Supplies and Systems



Dosing Units



Conveyor Belts



X-ray Systems

Weighers

Printers

Dosing Systems:

Filling and Capping Machines



Linear Scale
(2 weighing heads, 4 weighing heads)

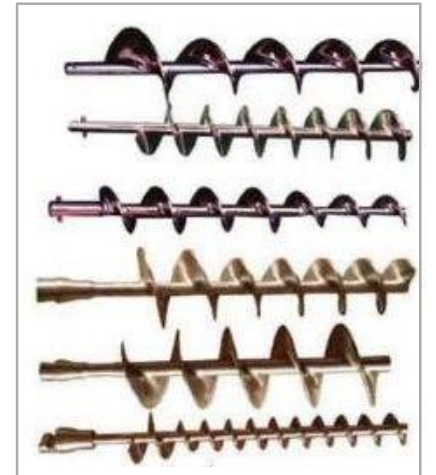


Rotating Collecting Plate

Multihead Weigher
(10, 14 or 20 weighing heads)



Dosing Screws (various types)



Z-Conveyor Belt
Incl. product hopper (150l volume)



Volume Dosing Unit incl. Product Hopper

Peripherals:

Filling and Capping Machines



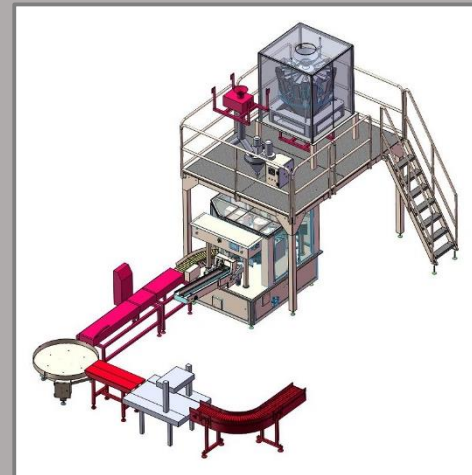
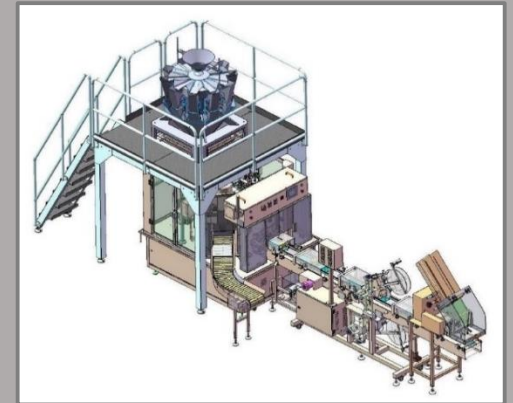
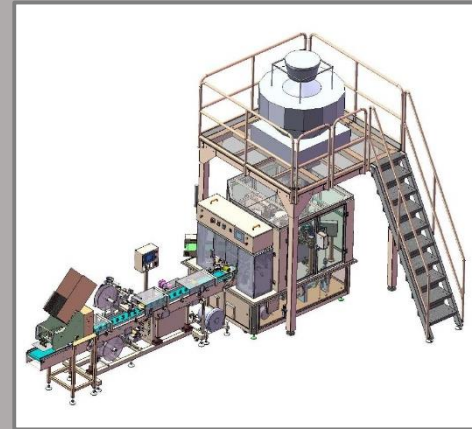
date printers, thermal transfer printers, inkjet printers



Automatic labelling machine for prefabricated and printed labels

Reference Drawings:

(Completed Projects)



Metal Detectors & Checkweighers:

Printing and X-ray systems:



Metal detector incl. checkweigher



Metal detector
(tests up to 100 pcs/min)



Domino Thermal Transfer Printer



Savema thermal transfer printer

X-ray inspection systems



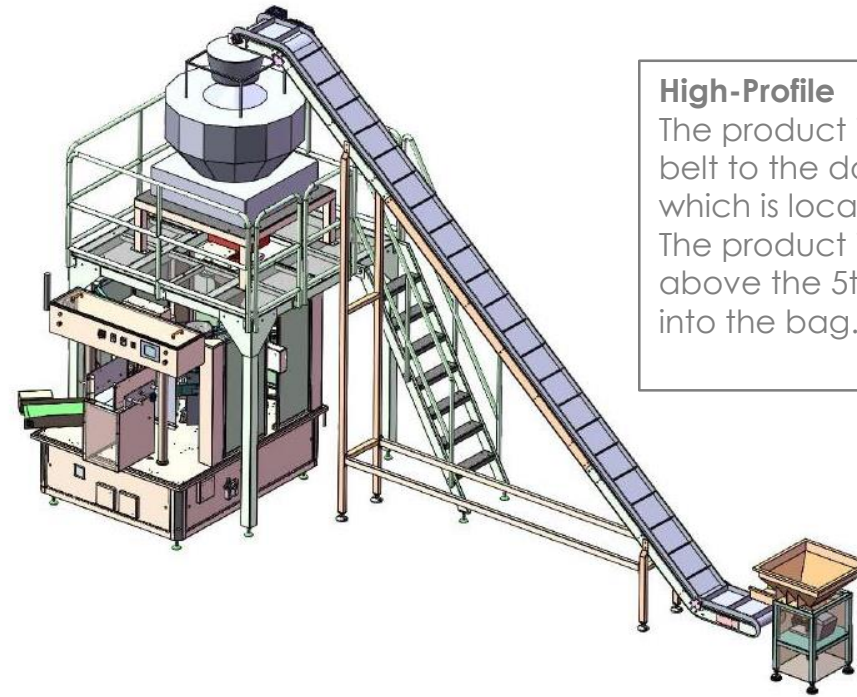
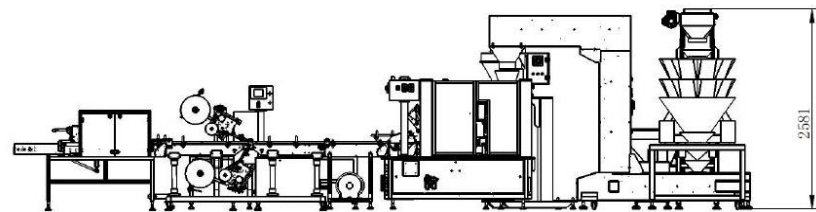
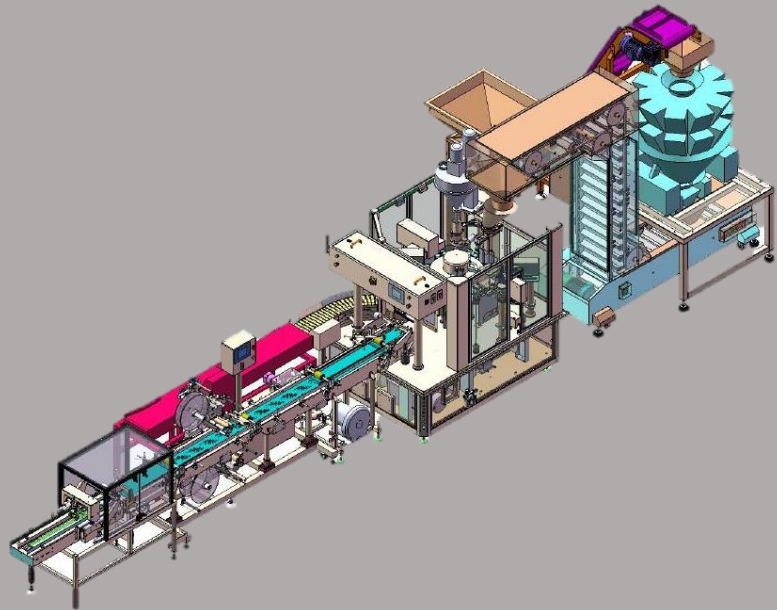
Design Options:

Filling and Capping Machines

Low-Profile

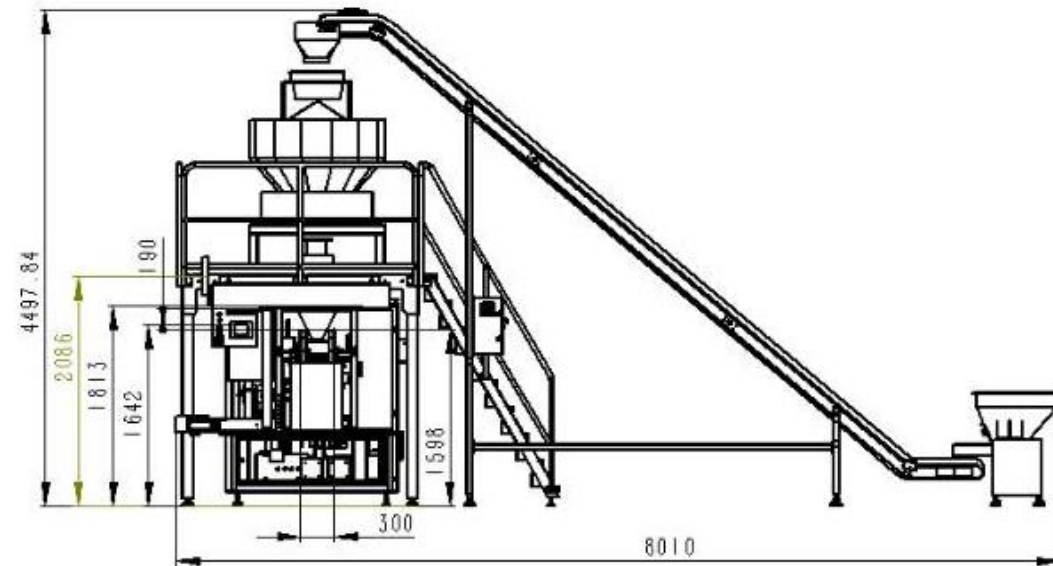
(for low ceiling heights)

The product is fed to the weighing system via an ascending belt. The product is weighed in individual cassette compartments of the Z infeed belt and cassette by cassette is transported to the filling hopper of the 5th station of the AP-8BT with each rotation and filled into the bag.



High-Profile

The product is fed via an ascending belt to the dosing / weighing system, which is located above the AP-8BT. The product is weighed directly above the 5th station and dosed into the bag.



About alpha-pack

With decades of experience, the **family-owned manufacturing companies** of Alpha-Pack Group GmbH rank among the pioneers in the packaging industry - We live innovation and progress. Unique to the market, we offer system solutions for the integrated packaging process in our corporate group, including suitable consumables - **Everything from one single source without intermediate trade.**

Thanks to our **many years of experience**, we are experts in developing, producing and selling packaging machines. Since our foundation, we have been dedicating ourselves to the development and introduction of **advanced equipment and technologies..** Due to the expansion of our mature and international brand and distribution network, our packaging machines have so far been exported to **more than 50 countries and regions.**

smart packaging solutions by manufacturers



For further questions about our packaging machines and services, please contact us at:

alpha-pack GmbH
Otto-Hahn-Allee 1
50374 Erftstadt

+49 2235-79479-0

info@alphapack.de

alpha-pack – smart packaging solutions by manufacturers

* The output quantities per minute are average values, depending on film type and thickness, product dimensions and machine handling. It is not possible to combine all maximum dimensions. We reserve the right to make technical changes or changed output values exclusively.

www.alphapack.de